

# REGISTRATION FORM

Registration forms must be received by May 5, 2023.

Contest will be held Tuesday May 9, 2023, at the Juab County Fairgrounds

Check in at the Juab County Fairgrounds Rodeo Office at 4:30pm

Nephi, Utah

Name\_

Address\_

Phone Number\_

School Now Attending\_

Parents Names\_

Brief description About You (Such as Hobbies, Reasons for competing as a rodeo queen,  
Activities other than rodeo and riding or School achievements)

---

---

---

---

---

---

---

---

---

---

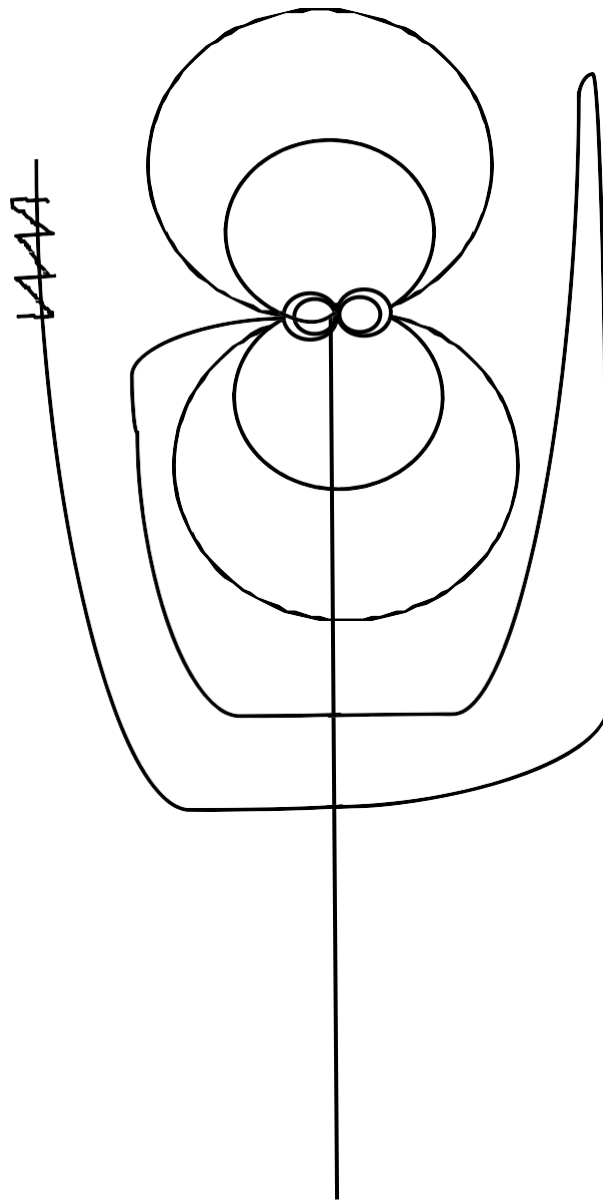
---

---

---

---

Registration form may be emailed to KJ Carter [kjcarter@rmwt.com](mailto:kjcarter@rmwt.com) or mailed to  
Att: Ute Stampede Rodeo Queen. PO Box 404 Nephi, UT 84648



1. Enter the arena through the south gate, and then mount your horse.
2. Starting on either lead, lope to the center of the arena, facing north, then complete a slide stop.
3. Complete two spins to the right.
4. Complete two and a fourth spin to the left.
5. Starting on the right lead, complete a small slow circle.
6. Switch leads in the center and complete a small slow circle to the left.
7. Complete a large fast circle to the right, then a large fast circle to the left.
8. Trot facing the grandstands, then start on the left lead to complete a roll back, staying twenty feet from the fence.
9. Start on right lead to the opposite side of arena, staying twenty feet from the fence.
10. Stop past center marker, then back to the center marker.
11. Walk towards judges then complete a presentation ride.
12. Dismount horse and exit the arena from the east gate.

## UTE STAMPEDE QUEEN'S CONTEST RULES

1. Contestant must be between the ages of 16 and 24 as of July 1, 2023.
2. Contestant shall never have been married.
3. Contestant shall not have been a previous Queen of the Ute Stampede.
4. Contestant shall waive liability.
5. Contestant shall remain single during their reign. In the event Contestant might marry Contestant will resign in which case the first attendant will succeed the Queen as the case may warrant.
6. Contestant will conduct themselves in a manner befitting the title of Ute Stampede Royalty.
7. Contestant shall follow the direction of the Ute Stampede Committee or its representative.
8. Contestant shall appear publicly as Ute Stampede Royalty only with approval of the committee.
9. Contestant must agree to attend and support all sanctioned public appearances in full Western Attire.
10. Contestant **will not** be free to plan their own schedule but must follow the schedule set up by the committee and attend all scheduled appearances.
11. The contest will be judged on three different categories. They are: Personality, Appearance and Horsemanship. Each category will be judged separately.
12. The Ute Stampede Committee will make all decisions concerning eligibility, the contest, the conduct and the schedule of royalty.
13. Any contestant selected to reign as Ute Stampede Royalty and who is also selected to reign in any other celebration royalty shall forfeit their right as a member of the Ute Stampede Royalty.

I hereby certify that I have read and understand the rules and agree to be bound by the terms and conditions as listed above.

Dated the \_\_\_\_\_ day of \_\_\_\_\_, 20\_\_

\_\_\_\_\_  
(Signature of Contestant)

UTE STAMPEDE ASSOCIATION QUEEN'S CONTEST

RELEASE AND WAIVER OF LIABILITY

In consideration of the acceptance of my application to compete in the annual Ute Stampede Queen Contest, I hereby assume all liability and responsibility for any loss, accident or injury to property or person arising in any way out of the activities of your association, your officers or agents in connection with my participation in such contest for the current year and I for myself, heirs and personal representative hereby release and waive all claims for any such injuries and agree to indemnify your association, your officials or agents from and against any loss or damage arising out of such claims.

I have read the foregoing release and fully understand the meaning and effect of the same, and I hereby certify that I was born on the date show below.

Dated the \_\_\_\_\_ day of \_\_\_\_\_, 20\_\_\_\_

\_\_\_\_\_

(Birth Date of Contestant)

\_\_\_\_\_

(Signature of Contestant)

(If contestant is under 18 years of age, the parent or guardian must sign below.)

I hereby certify that I am the \_\_\_\_\_ of the above contestant, that I have read the foregoing release and fully understand the meaning and effect of same and agree that I and my heirs and personal representatives shall be bound by the terms thereof.

\_\_\_\_\_

(signature of parent or guardian)

## **2023 Ute Stampede Tentative Appearances**

Delta, Utah Days of the Old West

Lehi Round Up

Mt. Pleasant UT

Moroni, UT

Salina, UT

Ute Stampede

Spanish Fork Fiesta Days

Fairview, UT

Santaquin, UT

